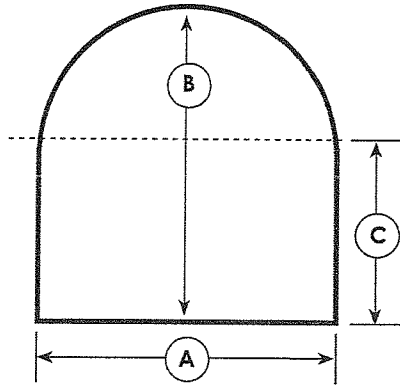


Arc-Solutions[®] Supplemental Order Form

Customer: _____ PO#: _____ S/M: _____

Reminder: Frame options are Direct Mount, 8723 L-Frame or 8796 Small Z-Frame.



- A. Width _____
- B. Height _____
- C. Leg Height _____
(before arch begins to curve)

Price as overall Width & Height, then add arch surcharge.

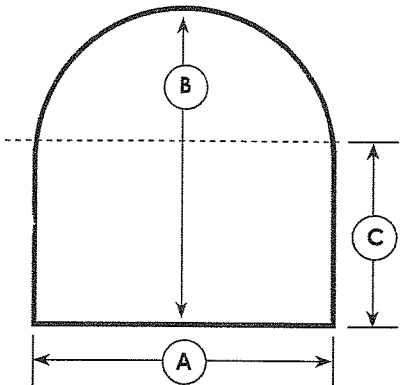
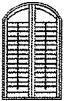
Room#: _____

Line#: _____

Contoured Arch



Solid Top



- A. Width _____
- B. Height _____
- C. Leg Height _____
(before arch begins to curve)

Price as overall Width & Height, then add arch surcharge.

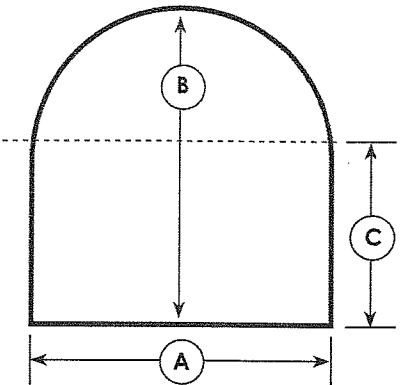
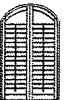
Room#: _____

Line#: _____

Contoured Arch



Solid Top



- A. Width _____
- B. Height _____
- C. Leg Height _____
(before arch begins to curve)

Price as overall Width & Height, then add arch surcharge.

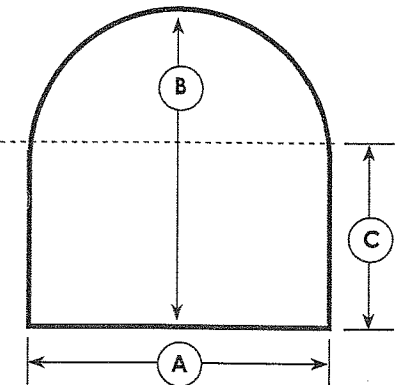
Room#: _____

Line#: _____

Contoured Arch



Solid Top



- A. Width _____
- B. Height _____
- C. Leg Height _____
(before arch begins to curve)

Price as overall Width & Height, then add arch surcharge.

Room#: _____

Line#: _____

Contoured Arch



Solid Top

