



FAUXWOOD SHUTTERS INFORMATION GUIDE

A BETTER BLIND, INC.
5350 NW 165TH ST. MIAMI, FL 33014
Phone: (305) 623-4855 • (800) 627-7117 • Fax: (305) 623-8139 • (800) 789-4616
Website: www.abetterblind.com E-mail: info@abetterblind.com

OVERVIEW

- ✓ Quick Delivery Time
- ✓ Synthetic Material (Solid Core)
- ✓ 2 Colors (White & Ivory)
- ✓ 3 Louver Sizes (2 ½", 3 ½" and 4 ½")
- ✓ Specialty Shapes available out of the same material
- ✓ Care free maintenance
- ✓ Energy efficient
- ✓ Green product
- ✓ Fire Retardant (NFPA 701)
- ✓ Moisture Resistant
- ✓ 10 year warranty (includes finish)

PLEASE CALL FOR APPLICABLE SURCHARGES ON THE FOLLOWING OPTIONS

Up to 3/4" Build Out

Over 3/4" Build Out

Extra Light Block

Notch Out Frame

Rip Down Frame

Butt Angles

T Post

Split Tilt Rod

Hidden Tilt Rod

Offset Tilt Rod

Hidden Split Tilt Rod

Double Hung

Bi-Fold Track System

Bi-Pass Track System (Includes 3 sided box out &Valance)

French Door Cut Out

Narrow Panel Fee (less than 12")

Wider Panel Fee

PANEL SIZES

Minimum Panel Width	12"
Minimum Panel Height	16"
Maximum Panel Width – Standard Louvers	30"
Maximum Panel Width – Aluminum Reinforced Louvers	36"
Maximum Panel Height	120"
Maximum Bi-Fold Panel	26"
Divider Rails are required at 72" Height	

SPECIALTIES – PLEASE CALL FOR SURCHARGES ON THE FOLLOWING SPECIALITIES

Contoured Arch (Calculate Sq/Ft as if rectangular)

Sunbursts (Half Circle, Eyebrows, Elongated)

Shapes (Ovals, Octagons, Circles)

Fauxwood Shutter Frame Additions

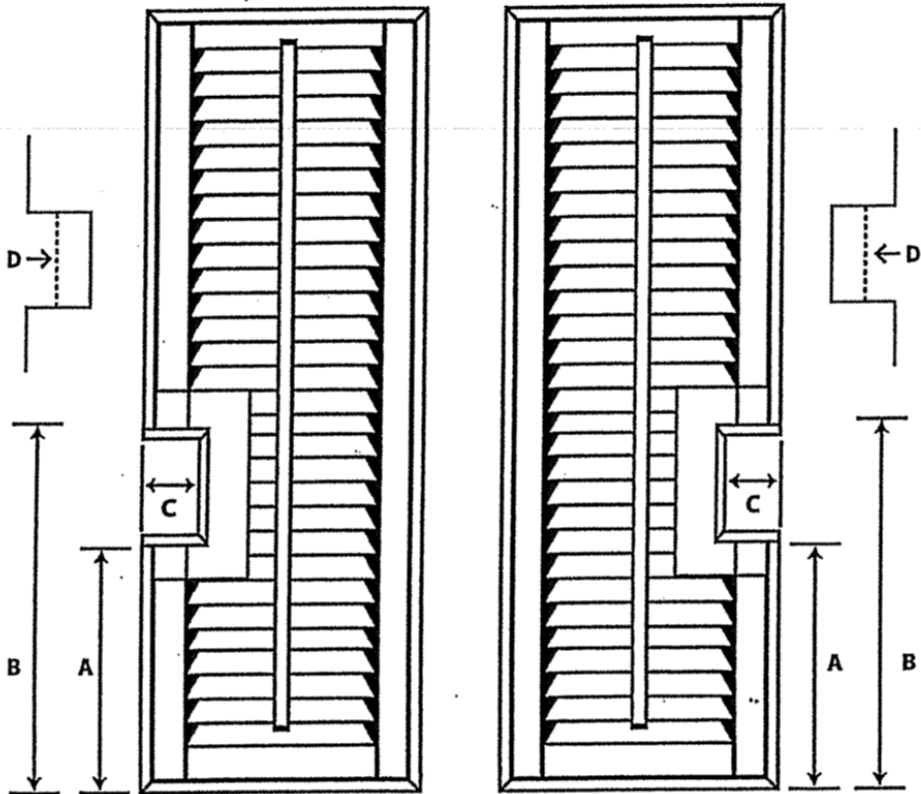
Small Z-Frame	2-Sided	Width + 3 ½"	
	3-Sided	Width + 3 ½"	Height + 1 ¾"
	3-Sided with Sill piece	Width + 3 ½"	Height + 1 ¾"
	4-Sided	Width + 3 ½"	Height + 3 ½"
	Flange	Width + 1 ¾"	

Large Z-Frame	2-Sided	Width + 5"	
	3-Sided	Width + 5"	Height + 2 ½"
	3-Sided with Sill piece	Width + 5"	Height + 3 ½"
	4-Sided	Width + 5"	Height + 5"

L-Frame	3-Sided Inside (Frame to Frame)	Width	Height
	3-Sided Inside w Sill piece	Width	Height
	3-Sided Outside	Width + 4"	Height + 2"
	4-Sided Inside (Frame to Frame)	Width	Height
	4-Sided Outside	Width + 4"	Height + 4"



French Door Cutout Form



- ▣ A = Bottom of frame to Start of cut out
- B = Bottom of frame to Top of cut out
- C = Cut in
- D = Offset (Optional)

- ▣ NOTE: Cut outs are rectangular: Standard Dimensions = 9 1/2" inside cut out in height and 5" inside cut out in depth.

BUILD OUT SIZE IF NEEDED = _____

Measuring Instructions

1. Use a steel or wood measure, not a cloth tape.
2. Measure all windows, no matter how similar they look.
3. Measure at least 3 locations on the width and height.
4. For inside mount, use the smallest measurement.
5. For outside mount, use the largest measurement.
6. For framed windows, be sure to measure width and height over the frame itself.
7. For divider rails, measure from the bottom of the desired frame location up to the center of the divider rail.

Note: *The exact location of divider rails may vary from requested height as much as 1 inch for 2 ½ Louvers and up to 2 inches for 4 ½ inch louvers.*

Clearances Required are:

Inside Mounts:

- 2 ½ Louvers = 2 ¼ inches.
- 3 ½ Louvers = 2 ½ inches.
- 4 ½ Louvers = 3 inches.

Outside Mounts:

- 2 ½ Louvers = 0 inches.
- 3 ½ Louvers = ¼ inch.
- 4 ½ Louvers = ¾ inch.

Over Trims: Deduct the depth of the trim from the above requirements.

Assure Panel Consistency

To achieve a uniform appearance, it is recommended that adjacent shutters be ordered the same height and same divider rail location. **Note this on the order form.**

Installation Instructions

A BETTER BLIND, INC.
5350 NW 165TH ST. MIAMI, FL 33014
Phone: (305) 623-4855 • (800) 627-7117 • Fax: (305) 623-8139 • (800) 789-4616
Website: www.abetterblind.com E-mail: info@abetterblind.com

Materials and Tools

The following materials needed for a standard installation are included with each order:

- Shutter panels and frame, if a framed system
- Magnets with striker plates and necessary screws - Hinge attachment screws
- Hoffmann Keys for Framing

Materials needed for installation:

- Frame Installation Screws – 2 5/8 " trim screws may work well in many situations
- Caulk

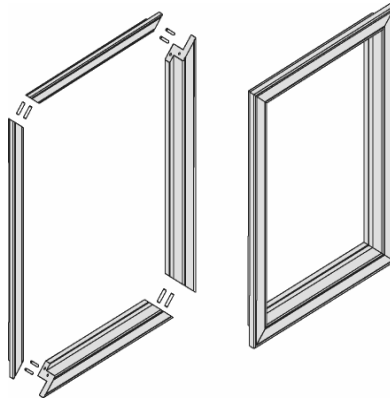
Tools needed for installation include:

- Steel measuring tape
- Variable speed power drill with driver bits - 3/32" drill bit
- Pencil

Caution: All screws holes should be pre-drilled. Damage to the materials made during shutter installations can also happen when screws are over tightened. We recommend that you do not make the final turn of a screw with a power driver. Instead, use a power driver to tighten a screw most of the way and then snug the screw by hand. Once a screw is over-tightened, damage cannot be repaired.

Frame Assembly

Shutter frames are shipped knocked-down (disassembled). Using the supplied Hoffmann Keys, reassembly of the frame is quick and easy.



T-Post Attachment

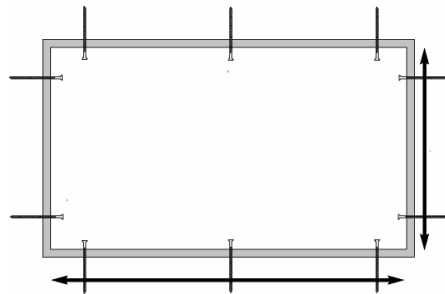
A BETTER BLIND, INC.
5350 NW 165TH ST. MIAMI, FL 33014
Phone: (305) 623-4855 • (800) 627-7117 • Fax: (305) 623-8139 • (800) 789-4616
Website: www.abetterblind.com E-mail: info@abetterblind.com

If one or more T-posts are used, mount them to the frame using the pre-drilled holes in the T-post and frame.

Basic Frame Installation

There are two types of frames: L-frame and Z-frame. The procedure and sequence of mounting screw attachments are similar for both types.

1. Center the frame inside or outside the window opening.
2. Screws should ideally be inserted through the light stop on the frame. Remember to pre-drill all screw holes.
3. Attach the top of the frame first. Mount the first screws in the middle of the frame, and then attach the two corners.
4. On larger units, space additional screws evenly, no more than 30" apart and near the top of each T-post.
5. Move the bottom of the frame left or right to square the frame.
6. Once the frame is square, attach the bottom of the frame. Mount the first screw in the middle of the frame, and then attach the two corners. Space any additional screws as you did at the top of the frame.
7. If necessary to align the panels, raise or lower the side frames or T-posts.
8. Only after the panels are all aligned, fasten the sides of the frame using screws at every hinge location.



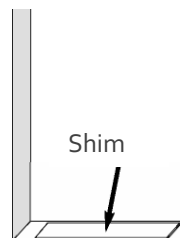
Caulking

Caulking may be required to fill in minor gaps between the frame and wall, between mitered corners of the frame, or over the screw heads for the frame installation screws.

Install Shutter Panels

1. Hinge pins are removable. The barrel of the hinges must be outside the frame to allow the shutter panel to open and close properly.
2. Close the panels and check their alignment. For adjustments to the panels, the frame should be adjusted to square accordingly.
3. Shims may be used to help space framing out on all inside mount applications

Direct Mount Installation (Panels Only)



To install unframed shutters, the hinges attached to the shutter panel(s) are screwed to the inside of the window frame. The shutter panels(s) should be flush with the front of the frame, with the barrel of the hinges just outside the frame.

To install with hanging strip in either inside or outside mount applications:

1. Drill and countersink at least three holes through the hanging strip for use with your mounting screws. (CAUTION: Do not drill or screw through the rout holes on the back of adjustable hanging strips.)
2. Use a pencil to mark the wall or trim surface where you want to mount the hanging strips.
3. Hold the hanging strips on the marks, and fasten the hanging strip to the mounting surface through the middle hole first.
4. Hold a level vertically against the hanging strip. Make sure the strip is straight vertically.
5. Fasten the hanging strip in this position with the remaining two screws and holes.
6. Install shutter panel(s) according to the procedures outlined in the "Install Shutter Panels" section. Hanging Strips generally use a back mounted Wrap hinge.

Adjustments

To adjust the overlap in the middle:

- Do not loosen the screws
- Tap the foot/base of the hinges on both panels evenly with a hammer to slide the panels away from each other, checking frequently, until you achieve the gap desired. - Snug screws again if they have come loose.

To raise or lower the panel with adjustable hanging strips:

- Slightly loosen the screws that fasten the hinge to the strip - Move the hinge and panel up or down as needed.
- Snug the screws

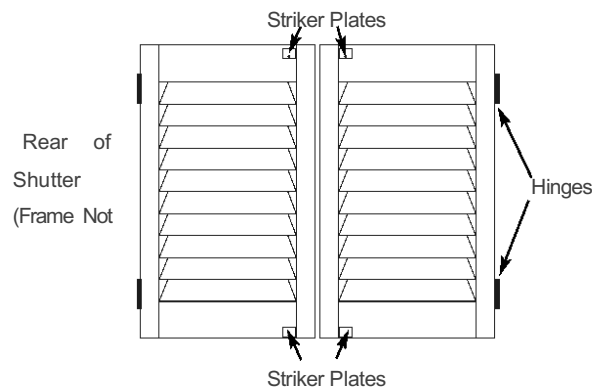
MAGNET ATTACHMENT

FOR DIRECT MOUNT (Panels Only) OR HANGING STRIPS ONLY

Magnets ensure closure of all shutter panels. They are attached to the top or bottom of the frame. The magnets are positioned so that they contact striker plates screwed to the rear of the shutter panels near the top or bottom.

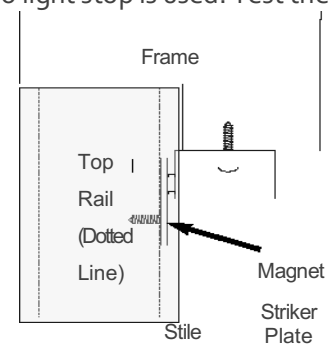
Determine the proper location of the magnet by holding either the top or the bottom of the stile against the light stop. If the opposite end of the stile does not rest against the light stop, a magnet is needed at that end of the panel. If it is resting against the light stop, switch ends and repeat the procedure.

Fasten the magnets to the light stop only where the panels do not touch the light stops when closed. (Striker plate should be fastened to the rail, not the stile.)



Attach striker plates where the top or bottom rails meet the stiles, as illustrated.

- With frames or light stops, the edge of the plate should be $\frac{3}{8}$ " from the edge of the rail.
- With no light stops, the edge of the plate should be within $\frac{1}{8}$ " from the edge of the rail.
- The hole for the striker plate screw should be away from the top or bottom edge of the rail so that the flat part of the plate contacts the magnet.
- Note that the striker plates are attached to the side of the panel furthest from the hinge attachment to the frame or T-post.
- With the panel(s) closed, mark the frame for magnet placement so that the magnets will contact the striker plates and secure the panels in the proper position.
- Attach the magnets to the frame or to the sill or upper jamb when no light stop is used. Test their placement by opening and closing the shutter panel(s). Adjust if necessary.



Consumer Limited Warranty

Limited Warranty & Warranty Period

A Better Blind warrants to the original purchaser of our shutters only that the shutters will be free from manufacturing defects resulting in peeling, blistering, flaking, rotting, or fading under normal use and service, for a period of 10 years from the date of original purchase. Any resale or other transfer of the shutters voids this warranty.

Replacement & Repair

If our product fails to meet our limited warranty during the warranty period, we will, at our option as our sole obligation to you, either repair or replace the defective product. You must return the defective product to us before we are obligated to repair or replace it. We will not be responsible for the cost to remove the defective product, the cost to reinstall the repaired or replacement product, or shipping charges. THESE ARE YOUR SOLE AND EXCLUSIVE REMEDIES FOR ANY AND ALL CLAIMS YOU MAY HAVE ARISING OUT OF OR IN CONNECTION WITH THIS PRODUCT.

What Our Warranty Does Not Cover

We offer NO WARRANTY for damage due to transit, improper installation, inadequate or improper care, neglect, abuse, abnormal use, misuse, accidents, normal weathering and wear and tear, damage due to environmental or natural elements, failure to follow our product instructions, unauthorized repairs or replacement parts, components or coatings applied to the product by anyone other than A Better Blind, alteration of the product, or motorized devices. We have no responsibility for any damage to the frame, glass or any other portion of a window in which the product is installed.

Disclaimers of Other Warranties

THE EXPRESS WARRANTIES SET FORTH ABOVE ARE EXCLUSIVE. WE PROVIDE NO OTHER WARRANTIES AND DISCLAIM ALL IMPLIED WARRANTIES, INCLUDING, WITHOUT LIMITATION, WARRANTIES OF MERCHANTABILITY AND FITNESS FOR A PARTICULAR PURPOSE AND WARRANTIES AGAINST LATENT OR HIDDEN DEFECTS. However, to the extent applicable law does not permit certain implied warranties to be disclaimed shall be limited to a period of ten years from the date of original purchase.

Limitation on Damages

IN NO EVENT WILL WE BE LIABLE TO YOU OR ANY OTHER PARTY FOR DIRECT, INDIRECT, GENERAL, SPECIAL, INCIDENTAL, CONSEQUENTIAL, EXEMPLARY, PUNITIVE, OR ANY OTHER DAMAGES ARISING OUT OF OR IN CONNECTION WITH THE PRODUCT, RESULTING FROM BREACH OF WARRANTY OR CONDITION, OR UNDER ANY OTHER LEGAL THEORY, EVEN IF WE HAVE BEEN ADVISED OF THE POSSIBILITY OF SUCH DAMAGES. IN NO EVENT WILL OUR LIABILITY TO YOU EXCEED THE AMOUNT YOU PAID FOR THE PRODUCT. Some states do not allow the exclusion or limitation of incidental or consequential damages, so the above limitations or exclusions may not apply to you.

How to Care for your Shutters:

RECOMMENDED CLEANING METHODS

Dusting: Regular dusting will help maintain a "like-new" appearance.

Vacuuming: Using a brush attachment, regular vacuuming will provide a deeper cleaning.

Compressed Air: As long as the air is not heated (hair dryer), compressed air can be used to blow off any dust.

Spot Cleaning: Shutters can be cleaned with a soft cloth or sponge with mild soap and water. Do not use ammonia based products.

Tension System: Over a period of time, it is possible that the louvers can loosen. A Better Blind shutters have a tension screw installed into the side of each panel. Using a phillips-head screwdriver, the screw can be slightly tightened to increase the resistance level.