



Roller Shades Inside Mount Curved Insert Fascia

HOW TO INSTALL

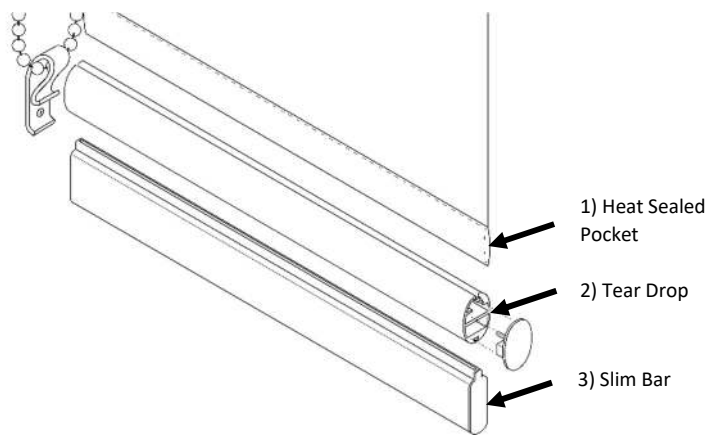
Tools Needed for Install (not included in the roller shade package):

Pencil
Measuring Tape
Screwdriver
Drill
Level

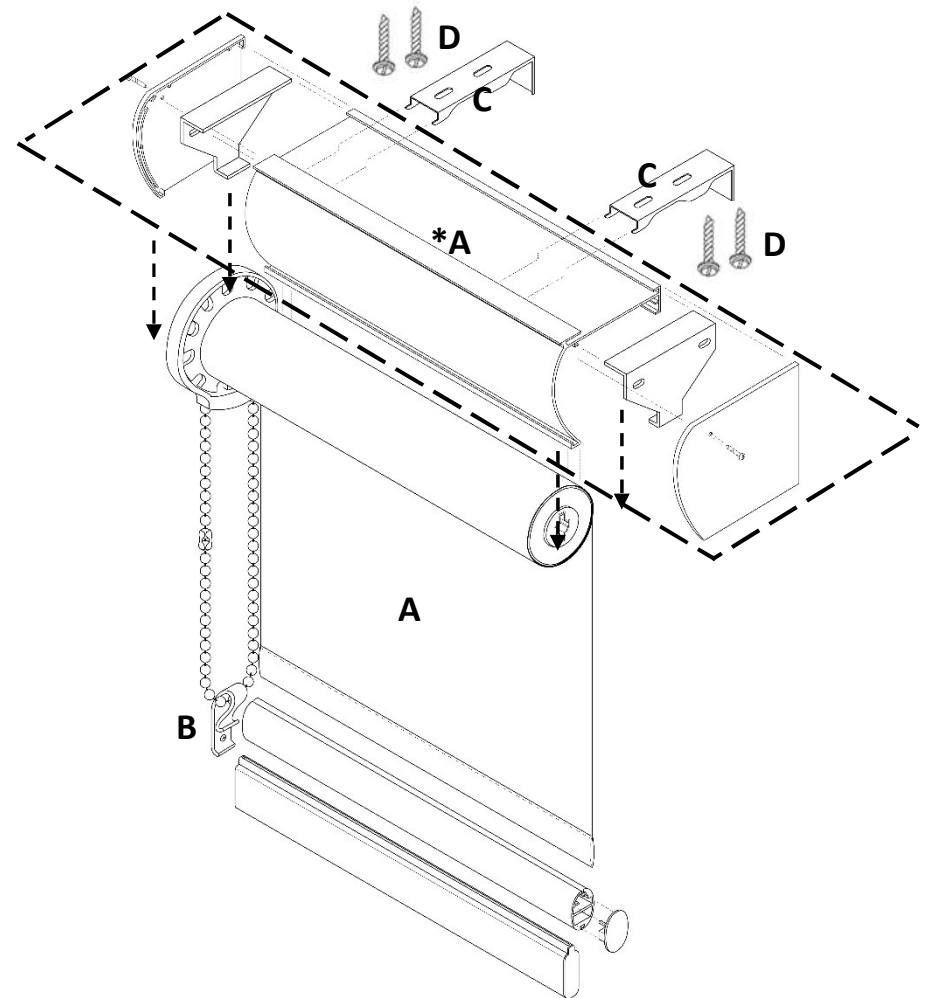
OPTIONAL Hem Bars

Depending on your order, you will receive a shade with one of three hem bars. All will be pre-installed and attached to the shade.

- 1) Heat sealed pocket with a weight inserted (you can remove weight during install and return to the pocket when complete)
- 2) Tear drop
- 3) Slim bar



Products in the Roller Shade Package for Install:



1 Mark bracket location

Items Needed:

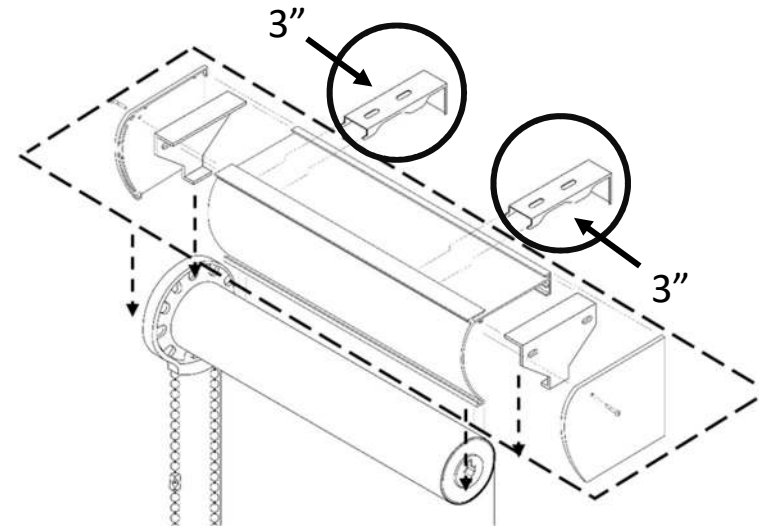
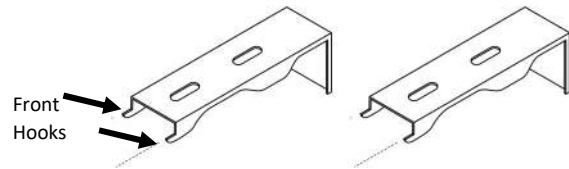
Pencil
Brackets

Hold one bracket, 3" from the side of the window, and mark both holes.
Repeat on the other side.

Space any remaining brackets evenly, not more than 25" apart. Ensure the marks are level.

Position the bracket forward so the front hooks are outside your window sill providing space for the curved insert fascia to latch. (See Step 4)

Mark the holes to drill with your pencil. Repeat on the other side.



2 Drill holes

Items Needed:

Drill
Drill bit

Using the holes you marked in Step 1, drill each hole.

3 Screw in brackets

Items Needed:

Brackets
Screws
*Anchors for drywall, aluminum or concrete installs, not included with blinds

Screw each bracket into the holes you drilled in Step 2.

4 Mount shade in brackets

Items Needed:

Shade

Hold the shade with the fascia facing you and the chain hanging down.

Tilt the bottom of the shade toward you and position the front groove on the front hooks of the brackets, as shown in Figure A.

Once the front groove is positioned securely over the front hooks of each bracket, tilt the bottom of the shade toward the window until you hear the shade click in place in the back clip of each bracket.

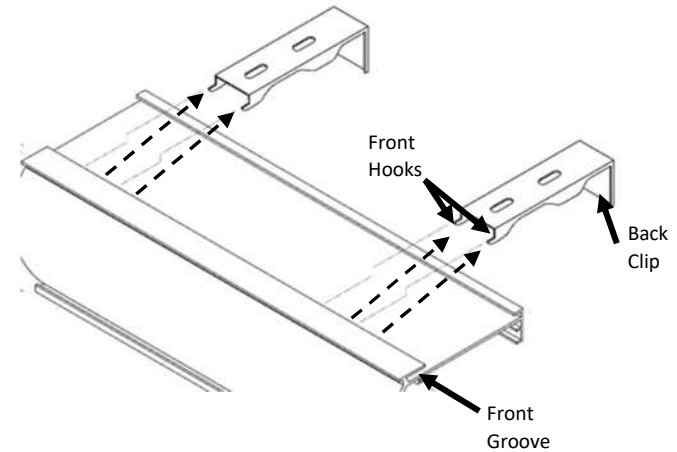


Figure A

5 Install the chain guide

Items Needed:

Chain guide

Screw

Insert the chain into the chain guide clip.



Position the chain guide, allowing for some slack in the chain, and attach with a screw through the hole in the bottom center.

6 Confirm roller shade operation

Raise the shade all the way up and lower the shade all the way down.

Raise the shade to a center position to ensure it locks in place and lower the shade all the way down.