



Roller Shades Inside Mount RollEase™, Flat Fascia

HOW TO INSTALL

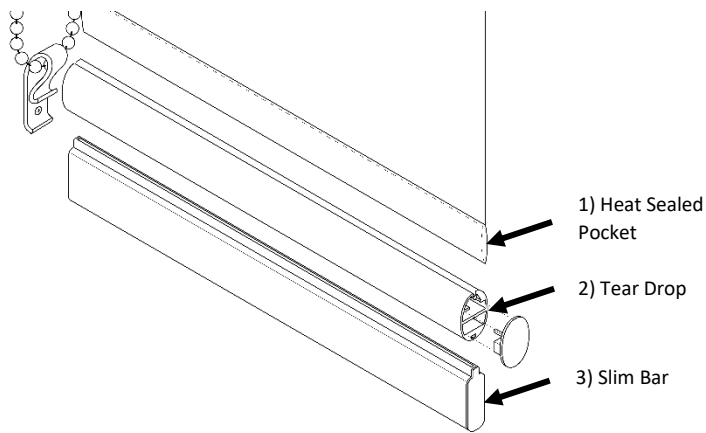
Tools Needed for Install (not included in the roller shade package):

Pencil
Measuring Tape
Screwdriver
Drill
Level

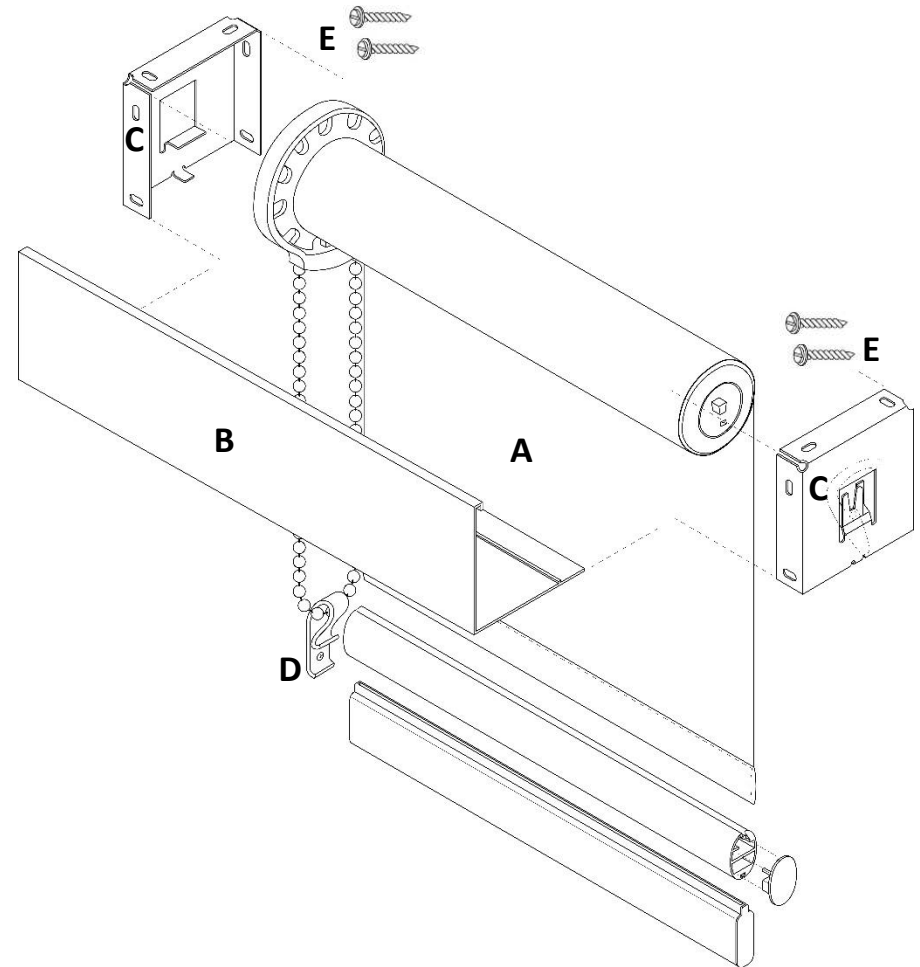
OPTIONAL Hem Bars

Depending on your order, you will receive a shade with one of three hem bars. All will be pre-installed and attached to the shade.

- 1) Heat sealed pocket with a weight inserted (you can remove weight during install and return to the pocket when complete)
- 2) Tear drop
- 3) Slim bar



Products in the Roller Shade Package for Install:



A – Shade x 1

B – Flat Fascia x 1

C – Brackets x 2

D – Chain Guide and Chain Guide Screw x 1

E – Screws 1-1/4" #8 Hex Head x 4

*Use alternative fasteners for drywall, aluminum or concrete installs, not included with blinds

1 Mark bracket location

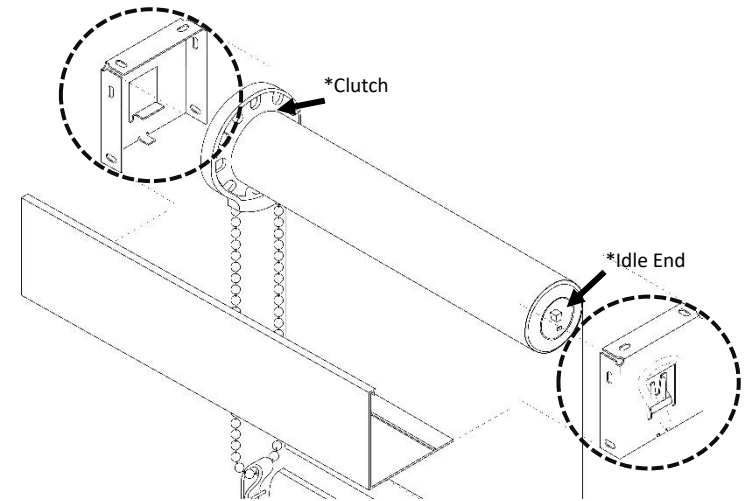
Items Needed:

Pencil
Brackets

Hold one bracket on the left hand side of your window opening (See Figure A) ensuring the front edge of the bracket is positioned outside the window opening (your flat fascia attaches to these front edges, see Step 6 for more information). You can screw in the bracket from the back or the top of the bracket.

Mark the holes to drill with your pencil.

Repeat on the other side.



*Clutch and idle end locations could be reversed depending on options ordered

Figure A

2 Drill holes

Items Needed:

Drill
Drill bit

Using the holes you marked in Step 1, drill each hole.

3 Screw in brackets

Items Needed:

Brackets
Screws
*Anchors for drywall, aluminum or concrete installs, not included with blinds

Screw each bracket into the holes you drilled in Step 2.

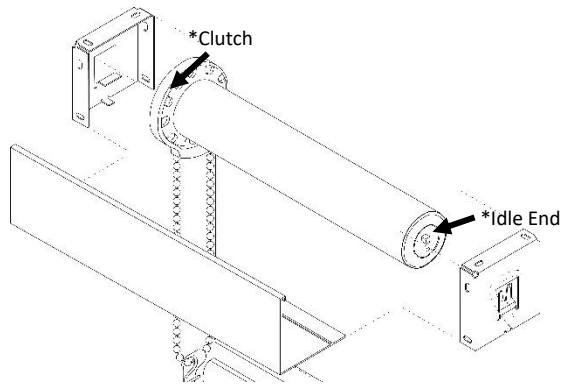
4 Mount shade in brackets

Items Needed:

Shade

Ensuring shade is completely rolled up, insert the side with the clutch into the bracket ensuring the fabric direction (typically rolls behind the shade) and chain location (typically on the right) are correct. If not reverse the shade.

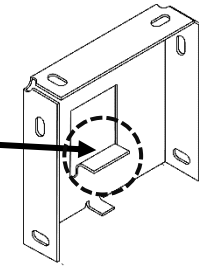
Push the other side, the idle end, of the shade up and into the other bracket.



*Clutch and idle end locations could be reversed depending on options ordered



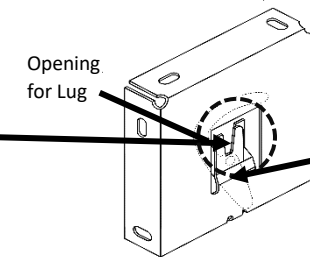
Clutch Side of Shade



Clutch Bracket



Idle End Side of Shade



Idle End Bracket

5 Install the flat fascia

Items Needed:

Flat fascia

Position the fascia as shown in Figure B and tilt the bottom toward you.

Rest the rolled edge onto the front edge of each bracket and push the bottom in until you feel the fascia snap in place.

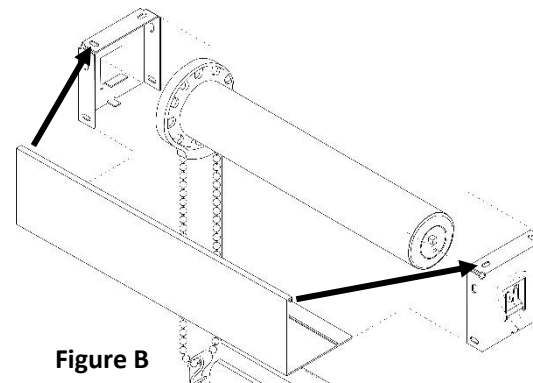


Figure B



6 Install the chain guide

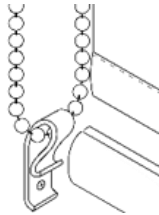
Items Needed:

Chain guide

Screw

Insert the chain into the chain guide clip.

Position the chain guide, allowing for some slack in the chain, and attach with a screw through the hole in the bottom center.



7 Confirm roller shade operation

Raise the shade all the way up and lower the shade all the way down.

Raise the shade to a center position to ensure it locks in place and lower the shade all the way down.