



Roller Shades Inside Mount RollEase™, No Fascia

HOW TO INSTALL

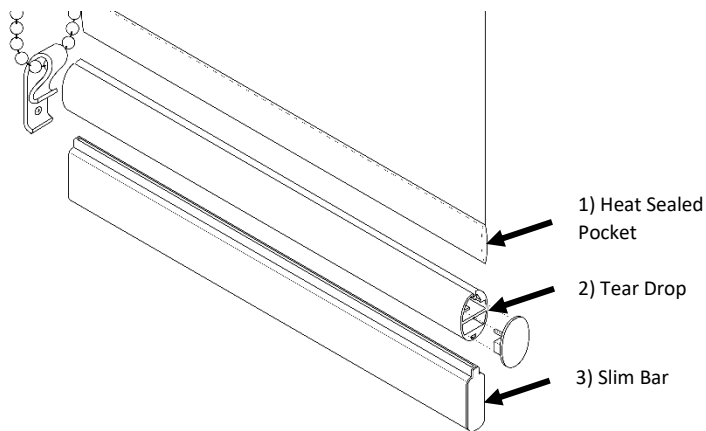
Tools Needed for Install (not included in the roller shade package):

Pencil
Measuring Tape
Screwdriver
Drill
Level

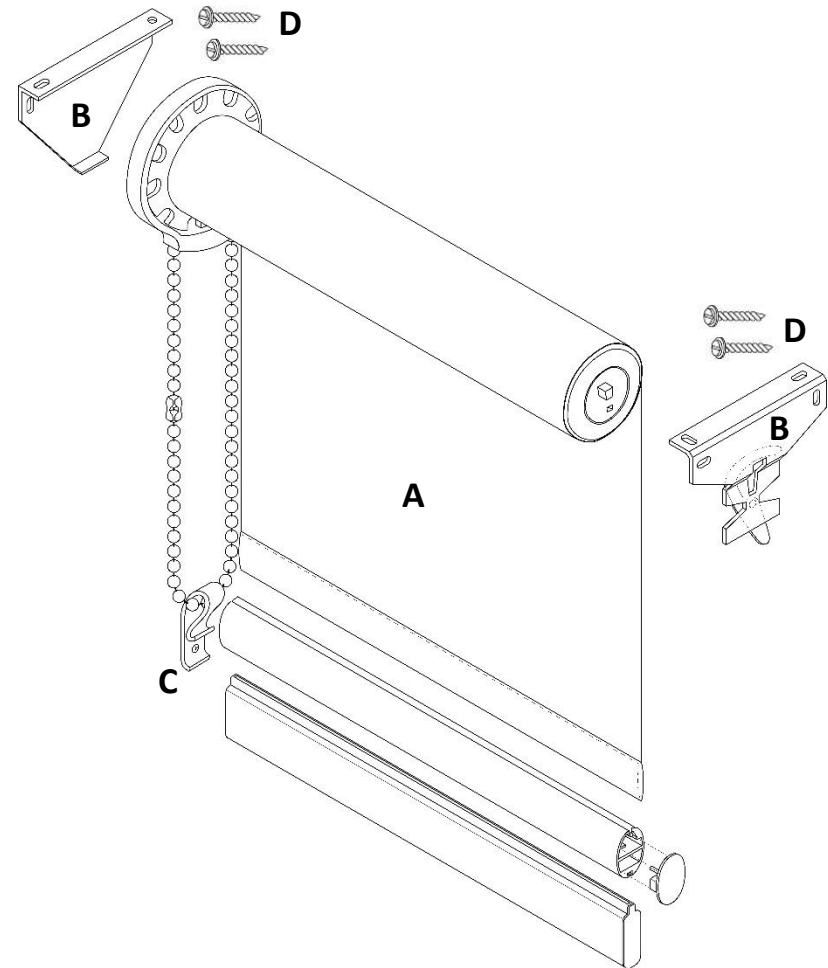
OPTIONAL Hem Bars

Depending on your order, you will receive a shade with one of three hem bars. All will be pre-installed and attached to the shade.

- 1) Heat sealed pocket with a weight inserted (you can remove weight during install and return to the pocket when complete)
- 2) Tear drop
- 3) Slim bar



Products in the Roller Shade Package for Install:



A – Shade x 1

B – Brackets x 2

C – Chain Guide and Chain Guide Screw x 1

D – Screws 1-1/4" #8 Hex Head x 4

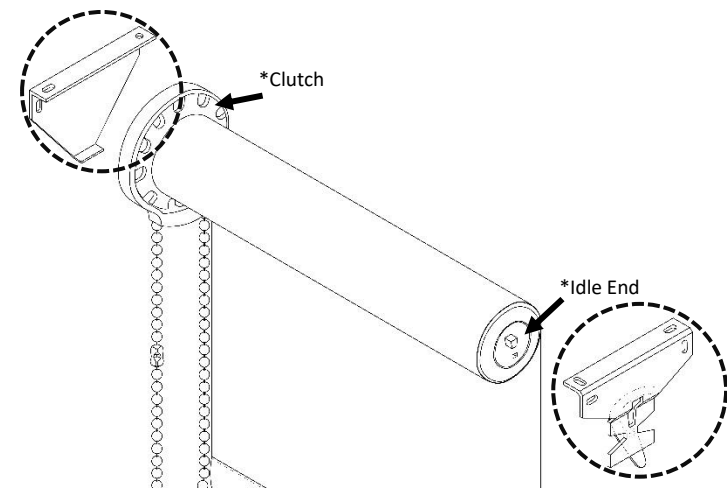
*Use alternative fasteners for drywall, aluminum or concrete installs, not included with blinds

1 Mark bracket location

Items Needed:

Pencil
Brackets

Hold one bracket on the left hand side of your window opening (See Figure A). You can screw in the bracket from the side or the top of the bracket. Mark the holes to drill with your pencil. Repeat on the other side.



*Clutch and idle end locations could be reversed depending on options ordered

Figure A

2 Drill holes

Items Needed:

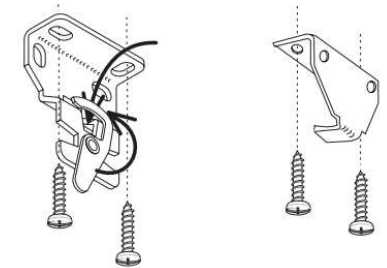
Drill
Drill bit

Using the holes you marked in Step 1, drill each hole.

3 Screw in brackets

Items Needed:

Brackets
Screws
*Anchors for drywall, aluminum or concrete installs, not included with blinds



Screw each bracket into the holes you drilled in Step 2.

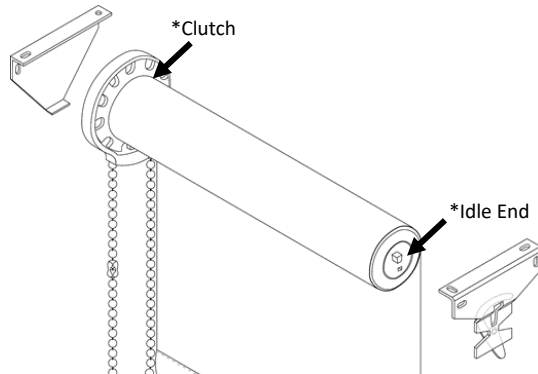
4 Mount shade in brackets

Items Needed:

Shade

Ensuring shade is completely rolled up, place the center hole of the clutch onto the bottom tab of the bracket as shown in Figure B, ensuring the fabric direction (typically rolls behind the shade) and chain location (typically on the right) are correct. If not reverse the shade.

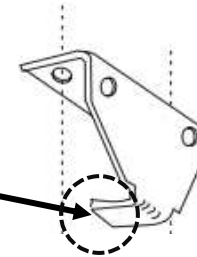
Adjust the retainer arm, on the opposite bracket, so it is in the position shown in Figure C. Raise the idle end of the shade and place the lug in the opening in the retainer arm. Push the retainer arm forward to lock the shade in place.



*Clutch and idle end locations could be reversed depending on options ordered



Clutch Side of Shade

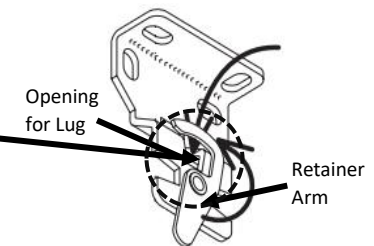


Clutch Inserted into Bracket

Figure B



Idle End Side of Shade



Idle End Inserted into Bracket

Figure C

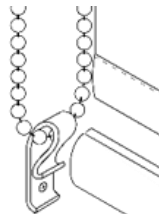
5 Install the chain guide

Items Needed:

Chain guide

Screw

Insert the chain into the chain guide clip.



Position the chain guide, allowing for some slack in the chain, and attach with a screw through the hole in the bottom center.

6 Confirm roller shade operation

Raise the shade all the way up and lower the shade all the way down.

Raise the shade to a center position to ensure it locks in place and lower the shade all the way down.