



1" Aluminum Mini Blinds Outside Mount, Standard

HOW TO INSTALL

Tools Needed for Install (not included in the window blind package):

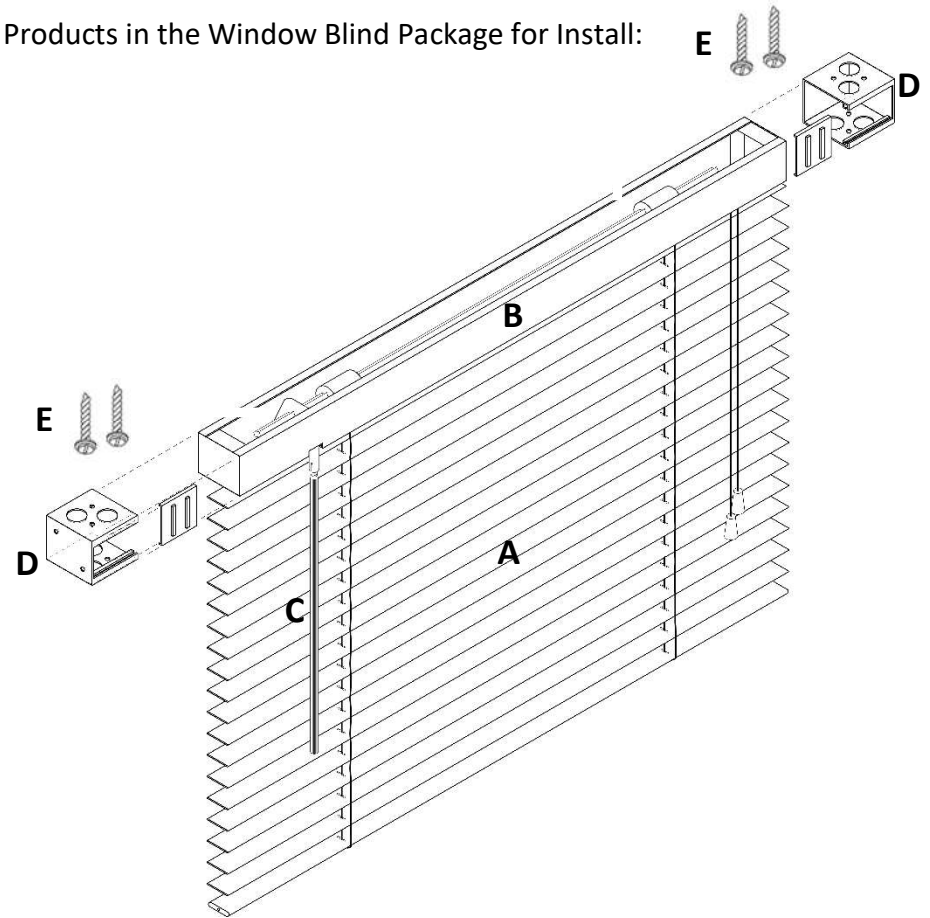
Pencil
Measuring Tape
Screwdriver
Drill
Level

REQUIRED if Width of Blind over 49" (brackets will be included in the Window Blind Package if required):

Center Support Brackets – 1 for Blind Width of 49 1/8" to 72 7/8"
Center Support Brackets – 2 for Blind Width over 73"



Products in the Window Blind Package for Install:



A – Blind x 1

B – Valance x 1

C – Tilt Wand x 1

D – Plastic Mounting Brackets x 2

E – Screws 1-1/4" #8 Hex Head x 4 (if center bracket, 2 more per bracket)

*Use alternative fasteners for drywall, aluminum or concrete installs, not included with blinds

1 Mark bracket location

Items Needed:

Pencil
Plastic mounting brackets
Center brackets (if included in the window blind package, see 1st page)

Hold one bracket on the left hand side of your window opening (See Figure A). You can screw in the bracket from the side or the top of the bracket. Mark the holes to drill with your pencil. Repeat on the other side.

If your blind requires a center bracket, measure your window opening and hold your center bracket so it is evenly spaced between each side and aligned with the depth of the bracket locations. Mark the holes to drill using the top, rear center hole. If your blind requires more than one center bracket, space them evenly between one another and the sides of the opening.

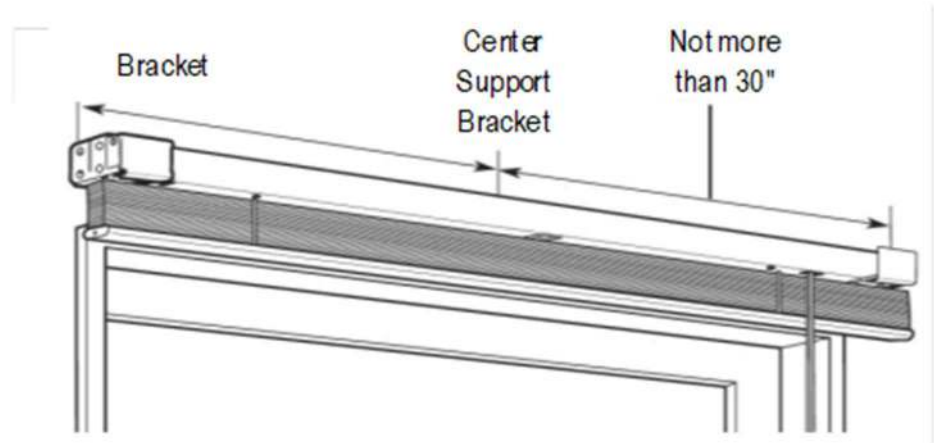


Figure A

2 Drill holes

Items Needed:

Drill
Drill bit

Using the holes you marked in Step 1, drill each hole.

3 Screw in brackets

Items Needed:

Plastic mounting brackets
Center brackets (if required, see 1st page)
Screws

Screw each bracket into the holes you drilled in Step 2.

4 Mount blind in brackets

Items Needed:

Blind

Slide the front cover off each installed bracket as shown in Figure A.

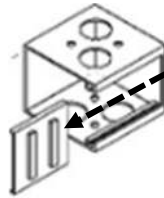


Figure A

Push each side of the blind headrail into each bracket and the center bracket if you are using one.

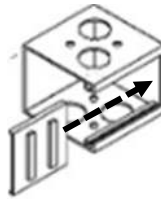


Figure B

Slide the front cover onto each installed bracket as shown in Figure B.

5 Install the valance

Items Needed:

Valance – one piece of 1" matching aluminum slat material

Slide the valance into the provided channel on the front of the headrail.

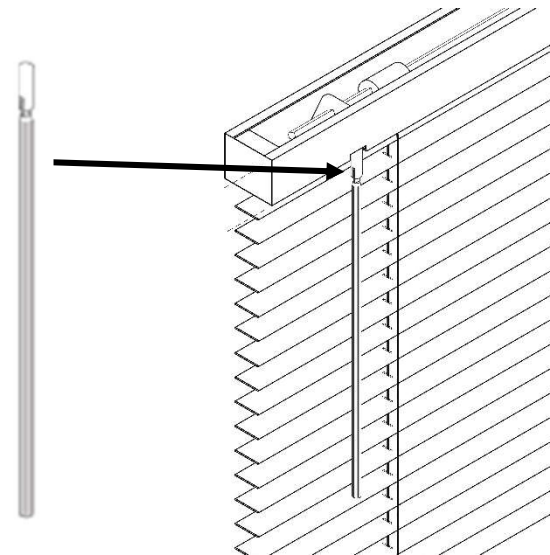
6 Attach the tilt wand

Items Needed:

Wand

Align the hole in the tilt wand with the tilting mechanism protruding from the headrail.

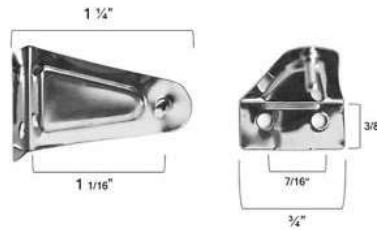
Tip the wand up to insert it onto the mechanism and tilt it down to slide it on securely.



9 OPTIONAL Install hold down brackets

Screw the hold down brackets to each side of the bottom of the window opening.

Affix the bottom rail to the hold down brackets and ensure it's secure.



10 Confirm window blind operation

Raise the blind all the way up and lower the blind all the way down

Raise the blind to a center position to ensure it locks in place and lower the blind all the way down

Tilt the slats all the way open, all the way up and tilt the slats all the way closed