



Horizontal Blinds – Inside Mount: Basswood

HOW TO INSTALL

Tools Needed for Install (not included in the window blind package):

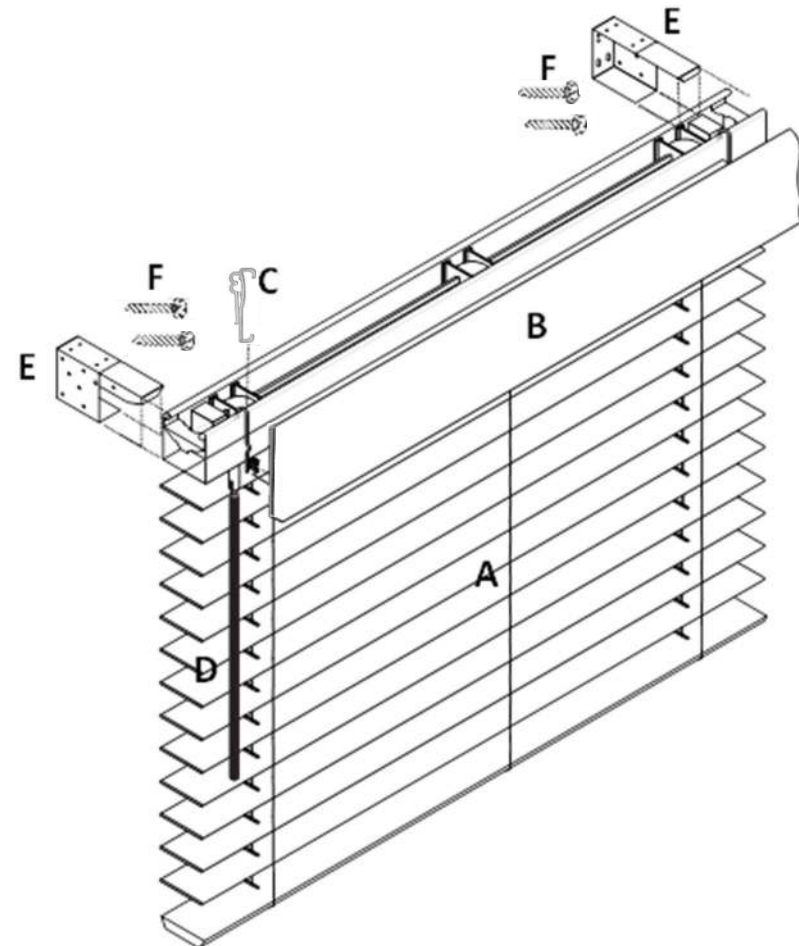
Pencil
Measuring Tape
Screwdriver
Drill
Level

REQUIRED if Width of Window Blind over 49" (brackets will be included in the Window Blind Package if required):

Center Support Brackets – 1 for Blind Width of 49 1/8" to 72 7/8"
Center Support Brackets – 2 for Blind Width over 73"



Products in the Window Blind Package for Install:



A – Blind x 1

B – Valance with Integrated Returns x 1

C – Valance Clips to Secure Valance to Headrail

*(Quantity Based on Width, Up to 48" – 2, 48"-72" – 3, 73"-96" – 4, Over 96" – 5)

D – Tilt Wand x 1

E – Mounting Brackets x 2

F – Screws 1-1/4" #8 Hex Head x 4 (if center bracket, 2 more per bracket)

*Use alternative fasteners for drywall, aluminum or concrete installs, not included with blinds

1 Mark bracket location

Items Needed:

Pencil
Mounting brackets
Center brackets (if included in the window blind package, see 1st page)

Hold one bracket on the left hand side of your window opening (See Figure A). You can screw in the bracket from the side or the top of the bracket. Mark the holes to drill with your pencil. Repeat on the other side.

If your blind requires a center bracket, measure your window opening and hold your center bracket so it is evenly spaced between each side and aligned with the depth of the bracket locations. Mark the holes to drill using the top, rear center hole. If your blind requires more than one center bracket, space them evenly between one another and the sides of the opening.

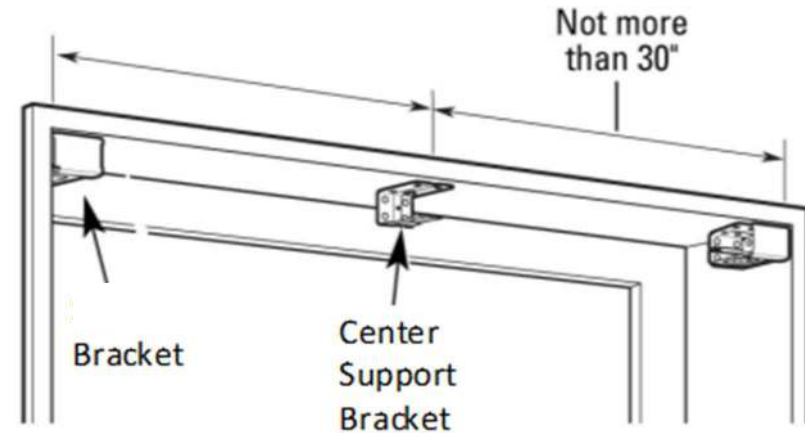


Figure A

2 Drill holes

Items Needed:

Drill
Drill bit

Using the holes you marked in Step 1, drill each hole.

3 Screw in brackets

Items Needed:

Mounting brackets
Center brackets (if required, see 1st page)
Screws

Screw each bracket into the holes you drilled in Step 2.

4 Attach valance clips

Items Needed:

Horizontal Blind

Valance Clips to Secure Valance to Headrail

Secure the clips to the headrail spaced evenly apart. (See Figure B)
 Make sure the clips don't interfere with anything in the headrail.

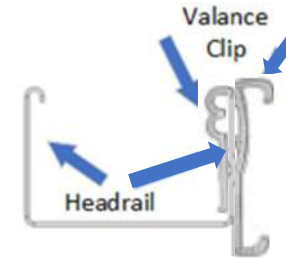


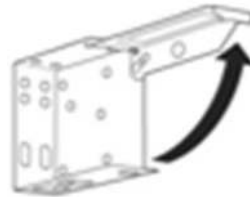
Figure B

5 Mount blind in brackets

Items Needed:

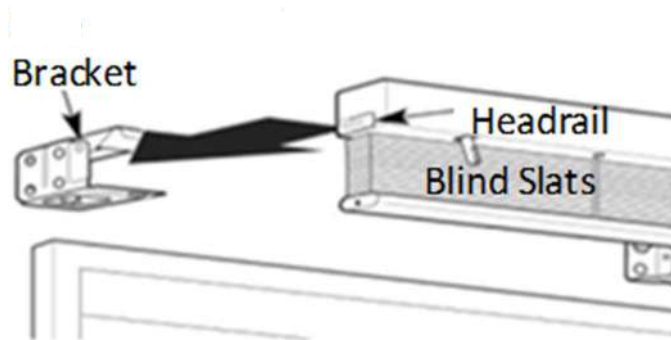
Horizontal Blind

Ensure the front cover of each bracket is open.



Push the blind headrail into each bracket and the center bracket if you are using one.

Push the front cover down on each bracket until it snaps in place.



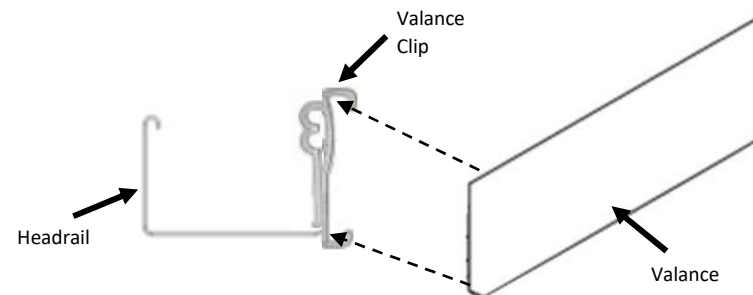
6 Install the valance

Items Needed:

Valance or Valance Assembly with Returns

Tip the bottom of the valance toward you

Position the top of the valance behind the top ridge of each valance clip and then tip the valance down until the bottom snaps into place behind the bottom ridge of each valance clip.



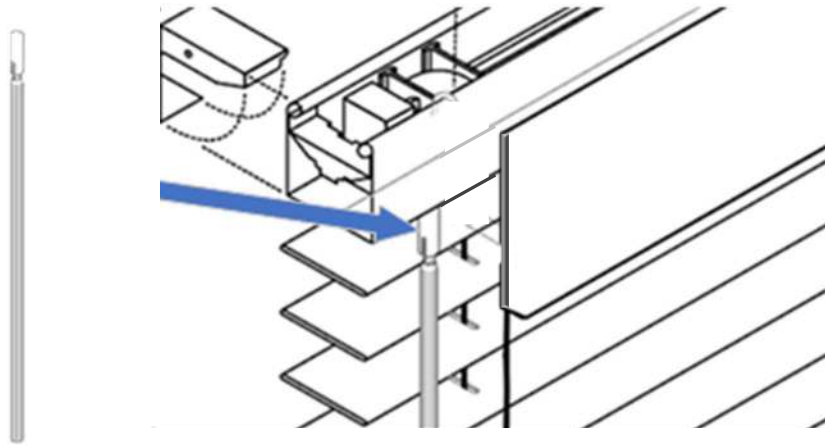
7 Attach the tilt wand

Items Needed:

Wand

Align the hole in the tilt wand with the tilting mechanism protruding from the headrail.

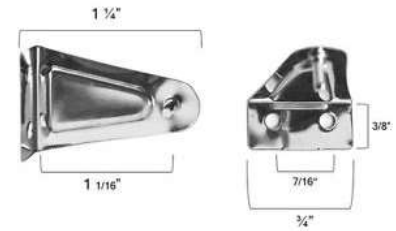
Tip the wand up to insert it onto the mechanism and tilt it down to slide it on securely.



8 OPTIONAL Install hold down brackets

Screw the hold down brackets to each side of the bottom of the window opening.

Affix the bottom rail to the hold down brackets and ensure it's secure.



9 Confirm window blind operation

Raise the blind all the way up and lower the blind all the way down

Raise the blind to a center position to ensure it locks in place and lower the blind all the way down

Tilt the slats all the way open, all the way up and tilt the slats all the way closed