



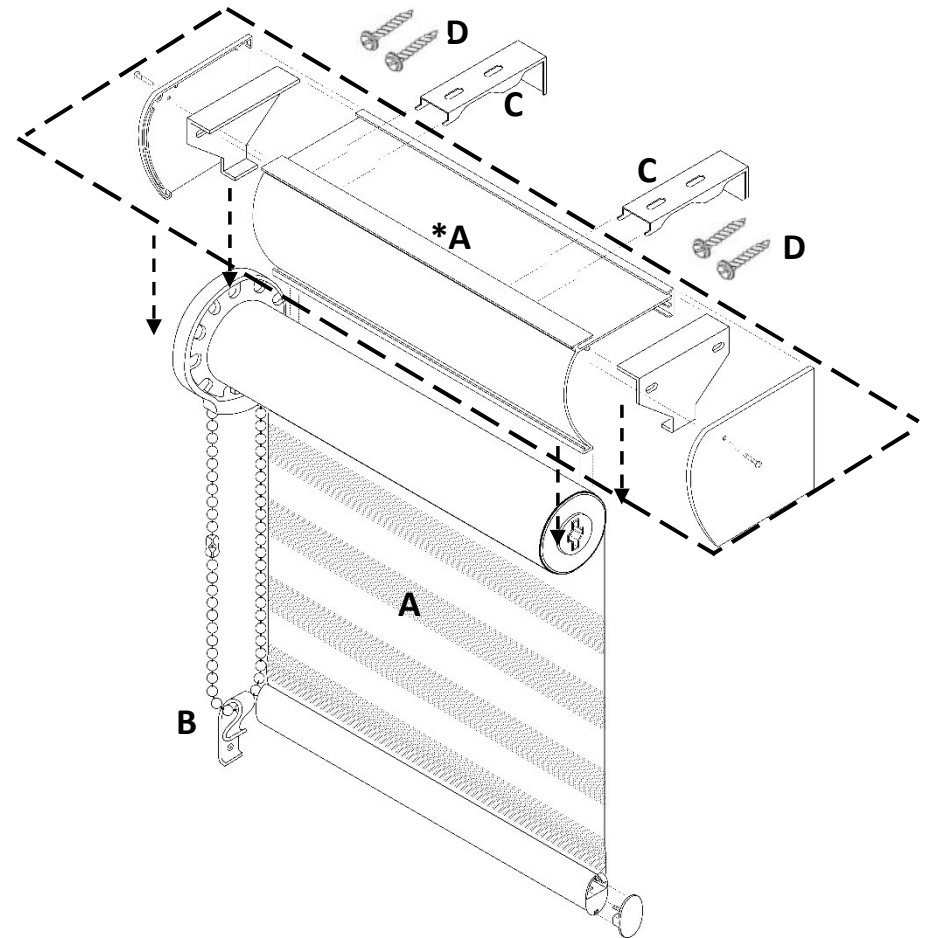
Illusions Outside Mount

HOW TO INSTALL

Tools Needed for Install (not included in the Illusions shade package):

Pencil
Measuring Tape
Screwdriver
Drill
Level

Products in the Illusions Shade Package for Install:



A – Shade x 1

*End caps, side brackets and fascia come assembled and attached to shade

B – Chain Guide and Chain Guide Screw x 1

C – Brackets (Quantity varies based on width, See Step 1)

D – Screws 1-1/4" #8 Hex Head x 4

*Use alternative fasteners for drywall, aluminum or concrete installs, not included with blinds

1 Mark bracket location

Items Needed:

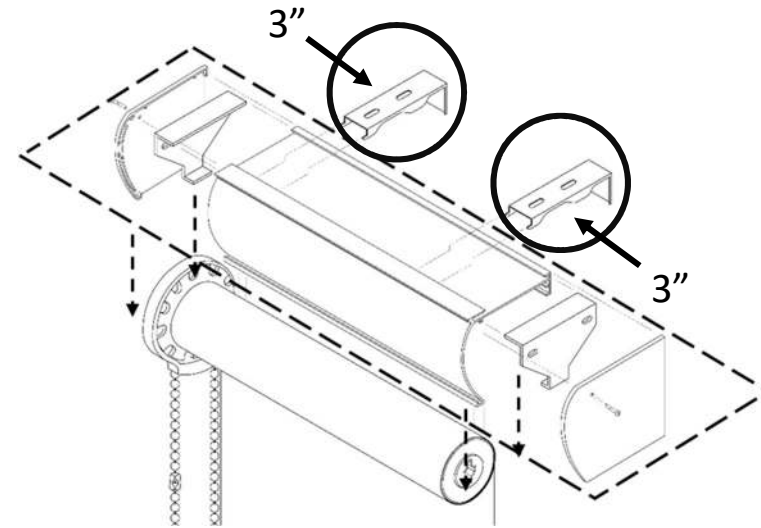
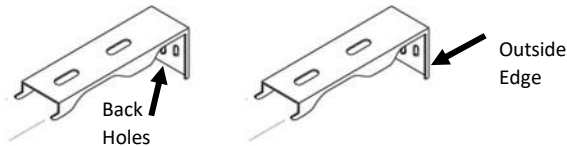
Pencil
Shade

Hold the shade in your desired location, ensuring it's level, and mark each edge of the shade on both sides. This is your first mark for each side.

Space any remaining brackets evenly, not more than 25" apart. Ensure the marks are level.

Measure and mark 3" in from your first mark. This is your second mark for each side.

Position the outside edge of the back of the bracket on your second mark, and mark both back holes with your pencil. Repeat on the other side, ensuring the marks on each side are level with each other.



2 Drill holes

Items Needed:

Drill
Drill bit

Using the holes you marked in Step 1, drill each hole.

3 Screw in brackets

Items Needed:

Brackets
Screws
*Anchors for drywall, aluminum or concrete installs, not included with blinds

Screw each bracket into the holes you drilled in Step 2.

4 Mount shade in brackets

Items Needed:

Shade

Hold the shade with the fascia facing you and the chain hanging down.

Tilt the bottom of the shade toward you and position the front groove on the front hooks of the brackets, as shown in Figure A.

Once the front groove is positioned securely over the front hooks of each bracket, tilt the bottom of the shade toward the window until you hear the shade click in place in the back clip of each bracket.

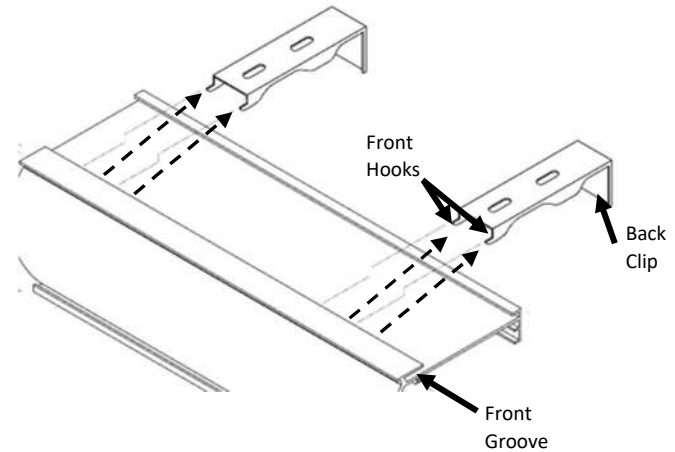


Figure A

5 Install the chain guide

Items Needed:

Chain guide

Screw

Insert the chain into the chain guide clip.



Position the chain guide, allowing for some slack in the chain, and attach with a screw through the hole in the bottom center.

6 Confirm shade operation

Raise the shade all the way up and lower the shade all the way down.

Raise the shade to a center position to ensure it locks in place and lower the shade all the way down.