



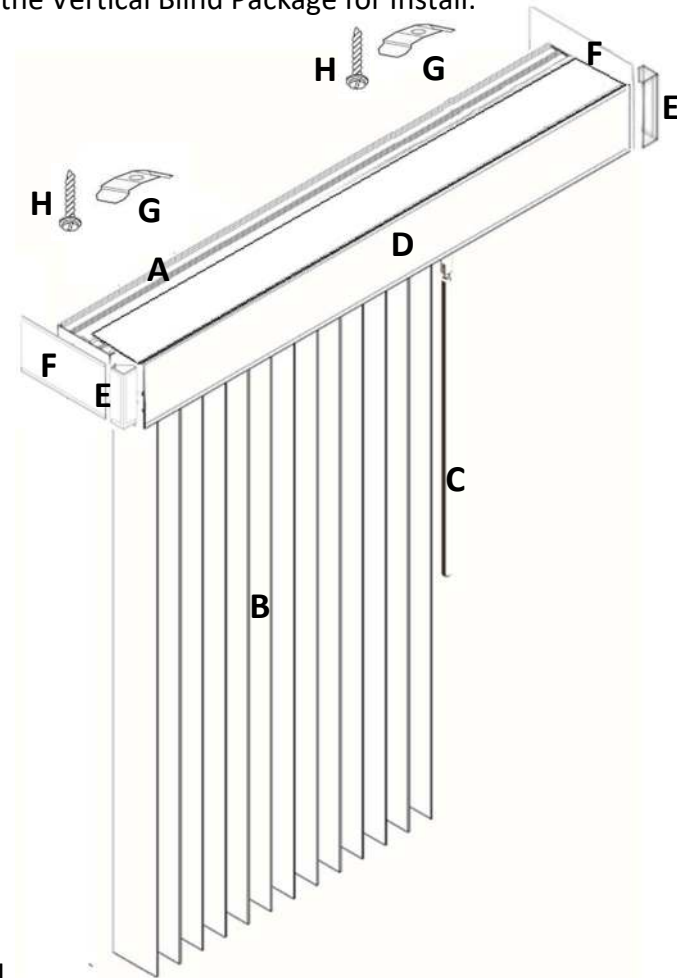
Vertical Blinds, PVC - Inside Mount Wand Operation

HOW TO INSTALL

Tools Needed for Install (not included in the roller shade package):

Pencil
Measuring Tape
Screwdriver
Drill
Level

Products in the Vertical Blind Package for Install:



- A – Headrail
 - B – Vanes (Quantity varies depending on width)
 - C – Wand x 1
 - D – Dust Cover Valance x 1
 - E – Valance Corner Brackets x 2
 - F – Valance Returns x 2
 - G – Mounting Clips (Quantity varies depending on width, See Step 3)
 - H – Screws x 1 per Mounting Clip
- *Use alternative fasteners for drywall, aluminum or concrete installs, not included with blinds

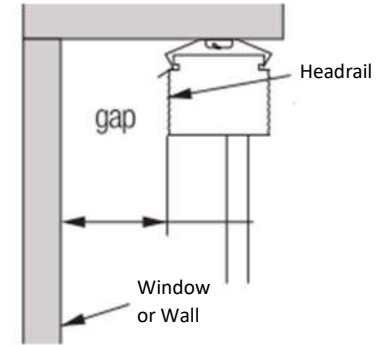
1 Mark valance and mounting clip locations

Items Needed:

Pencil

Measure and make a 1" long mark 4" in from the side of the window frame and 2 3/4" in from the window. Repeat on the other side.

Ensure you have enough room to leave a gap of 1 1/2" **minimum** for 3 1/2" louvers and a 1" **maximum** gap for 2 1/2" louvers.



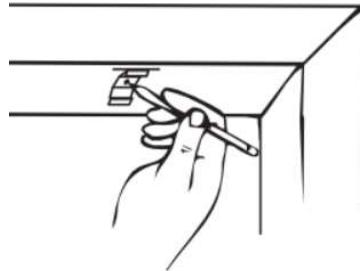
2 Mark mounting clip holes

Items Needed:

Mounting Brackets

Pencil

Position the front edge of the mounting clip just behind the mark you drew in Step 1.



Mark the hole in the mounting clip and repeat on the other side.

Additional mounting clips are supplied for wider windows. Space them evenly between the original two clips at the same depth and mark each hole.

3 Drill holes

Items Needed:

Drill

Drill bit

Using the holes you marked in Step 2, drill each hole.

4 Drill holes into valance dust cover (top of valance)

Items Needed:

Dust Cover Valance

Drill

Position the valance centered in your window frame. Drill through the dust cover into each hole you drilled in Step 3.

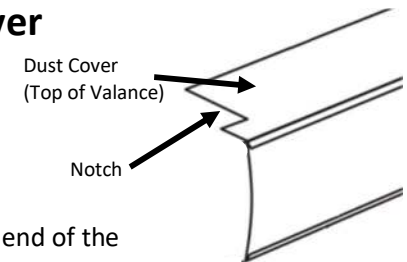
5 Notch the valance dust cover

Items Needed:

Dust Cover Valance

Scissors or Snips

Notch a one inch square at the back of each end of the dust cover of the valance to allow for window casing.



6 OPTIONAL Attach the valance returns to the valance

Items Needed:

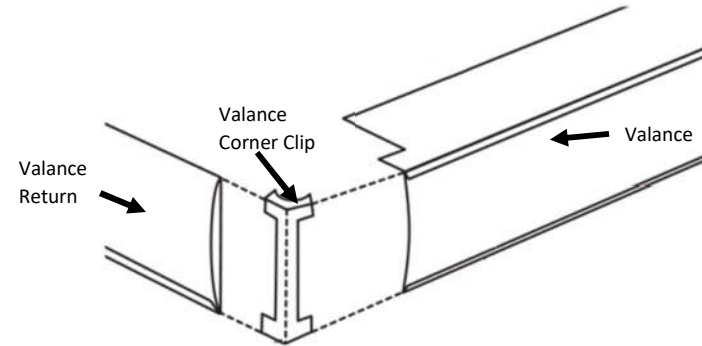
- Valance Returns
- Valance Corner Clips

Slide the valance corner clip onto the top and bottom edges of the valance.

Slide the valance corner clip onto the top and bottom edges of the valance return.

Repeat on the other side.

Matching PVC vane return piece may be trimmed to fit, as needed, with heavy duty scissors.



7 Screw in mounting clips and valance

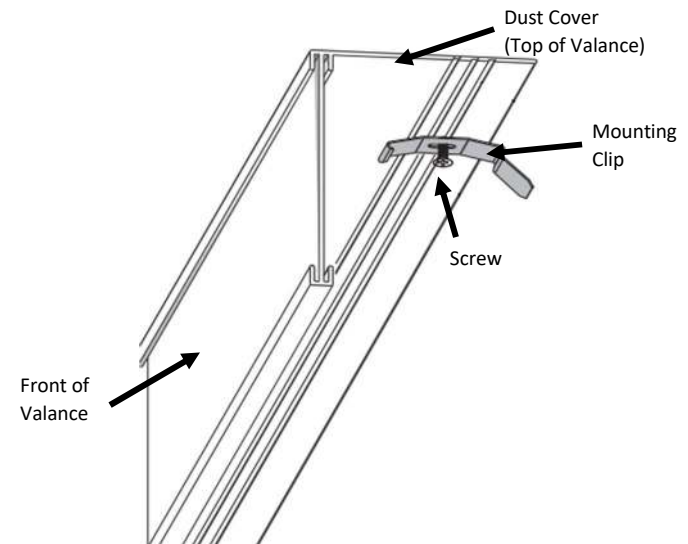
Items Needed:

- Valance
- Mounting Clips
- Screws
- *Anchors for drywall, aluminum or concrete installs, not included with blinds

Align the valance pre-drilled holes from Step 4 with the pre-drilled holes from Step 3.

Screw in the mounting clip through the valance and window frame holes.

Repeat for each pre-drilled hole.



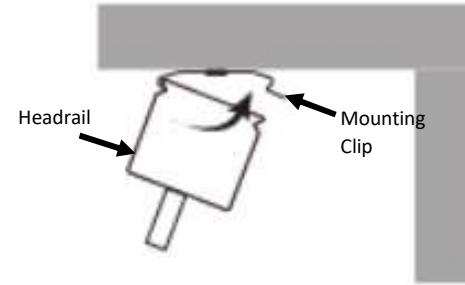
8 Mount the headrail into the mounting clips

Items Needed:

Headrail

Tilt the bottom of the headrail toward you and position the top front groove of the headrail into the front of each mounting clip.

Once the top groove is positioned securely in the front of each mounting clip, tilt the bottom of the headrail toward the window until you hear the headrail click into place.



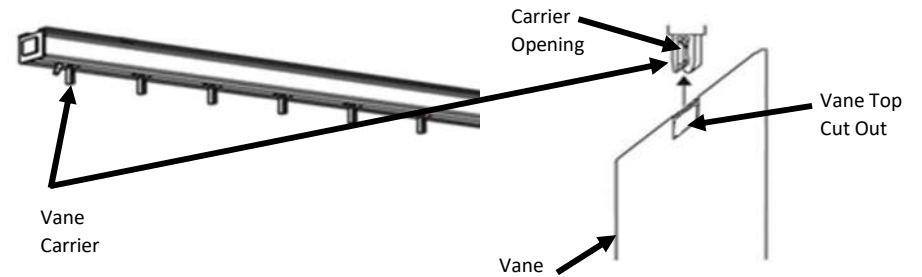
9 Install the vanes

Items Needed:

Vanes

Position each vane carrier in the open position - the carrier opening will face forward.

Insert the top cut out of each vane between the prongs of a single vane carrier. Pull down softly to lock in place. Repeat until all vane carriers are holding a vane.



10 Install the wand and test the operation

Items Needed:

Wand

Insert the wand into the wand clip.

Test the rotation of the vanes fully open and closed.

Test sliding the vanes open to reveal the window and closed again.

