



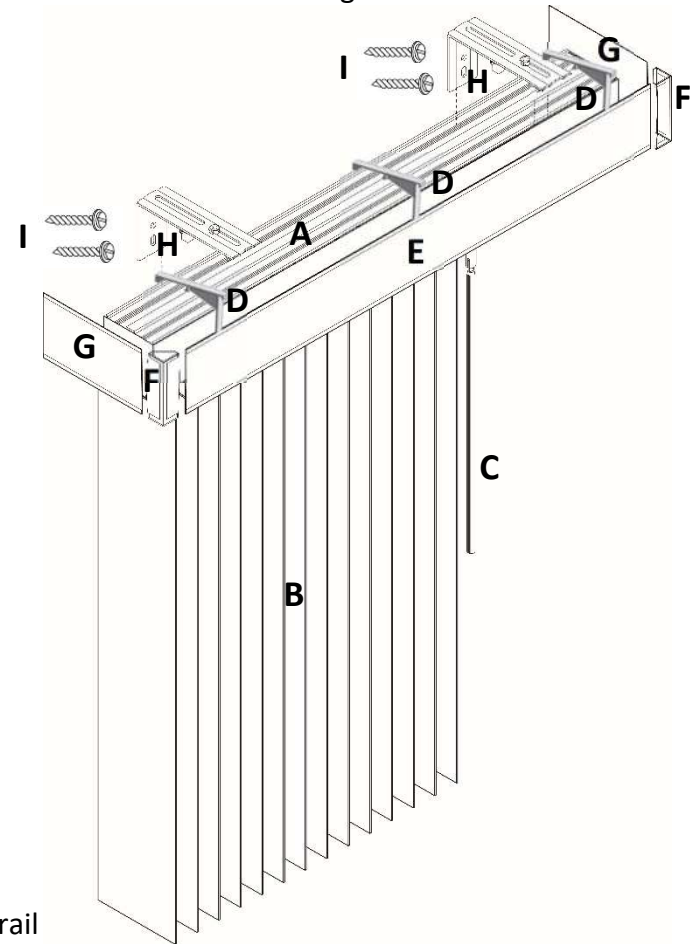
## Vertical Blinds Outside Mount PVC Stock, Wand Operation

### HOW TO INSTALL

Tools Needed for Install (not included in the roller shade package):

Pencil  
Measuring Tape  
Screwdriver  
Drill  
Level

Products in the Vertical Blind Package for Install:



- A – Headrail
  - B – Vanes (Quantity varies depending on width)
  - C – Wand x 1
  - D – Valance Clips (Quantity varies depending on width, See Step 4)
  - E – Valance x 1
  - F – Valance Corner Brackets x 2
  - G – Valance Returns x 2
  - H – Installation Brackets (Quantity varies depending on width, See Step 1)
  - I – Screws x 2 per Bracket
- \*Use alternative fasteners for drywall, aluminum or concrete installs, not included with blinds

## 1 Mark bracket location

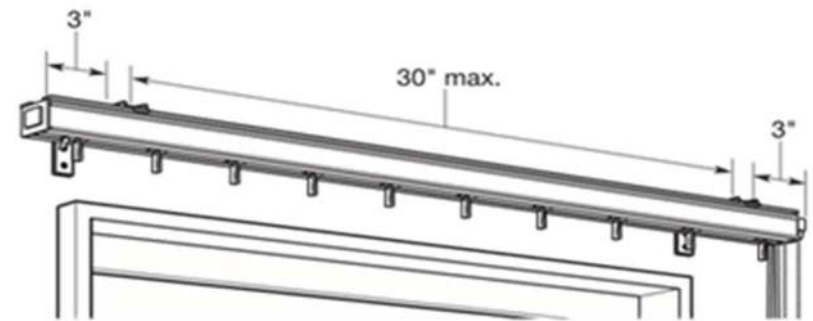
Items Needed:

Pencil  
Installation brackets

Hold the headrail in your desired location, allowing for 1/2" clearance for the vanes above the floor or sill. Mark each edge of the headrail on both sides. This is your first mark for each side.

Measure and mark 3" in from your first mark on both sides. These are your second mark for each side.

Hold one bracket on the left side, and mark both holes, on the back of the bracket, with your pencil. Repeat on the other side. Space any remaining brackets evenly, not more than 30" apart. Ensure the marks are level.



## 2 Drill holes

Items Needed:

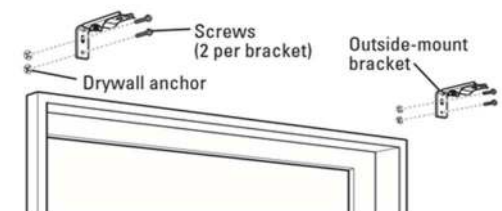
Drill  
Drill bit

Using the holes you marked in Step 1, drill each hole.

## 3 Screw in brackets

Items Needed:

Installation brackets  
Screws  
\*Anchors for drywall, aluminum or concrete installs, not included with blinds



Screw each bracket into the holes you drilled in Step 2.

## 4 Attach valance clips to the headrail

**Items Needed:**

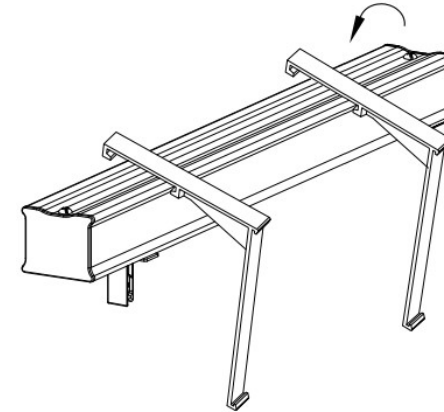
Headrail  
Valance Clips

Determine the number of valance clips required for your vertical blind using the chart below.

Attach the required number of valance clips to the headrail, spaced evenly.

Use the following # of valance clips, spaced evenly, based on the width of your blind:

Up to 54"	54- 1/8" - 84"	84 1/8" - 108"	108 1/8" - 132"	132 1/8" - 156"	156 1/8" - 192"
2	3	4	5	6	7



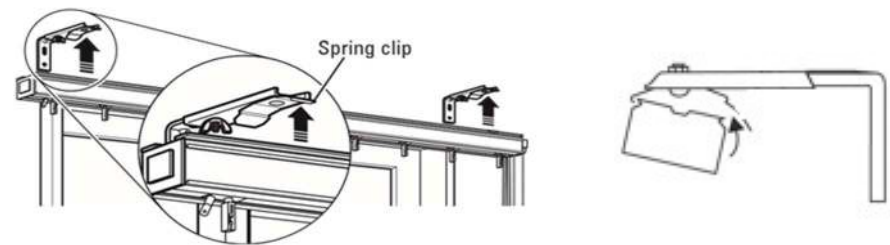
## 5 Mount the headrail in the installation brackets

**Items Needed:**

Headrail

Tilt the bottom of the headrail toward you and position the top groove in the spring clip of the installation brackets.

Once the top groove is positioned securely on the top spring clips of each bracket, tilt the bottom of the headrail toward the window until you hear the headrail click in place.



## 6 Prep and attach the valance returns to the front valance

**Items Needed:**

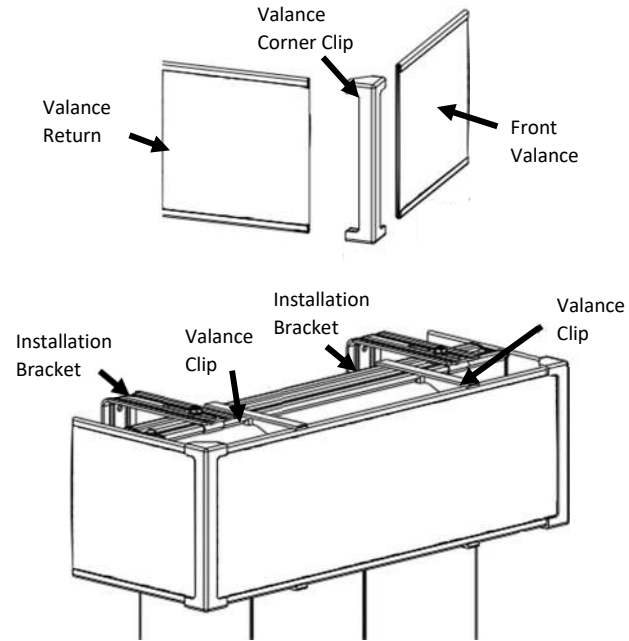
- Valance Returns
- Valance Corner Clips

Slide the valance corner clip onto the top and bottom edges of the front valance.

Slide the valance corner clip onto the top and bottom edges of the valance return.

Repeat on the other side.

Matching PVC vane return piece may be trimmed to fit, as needed, with heavy duty scissors.



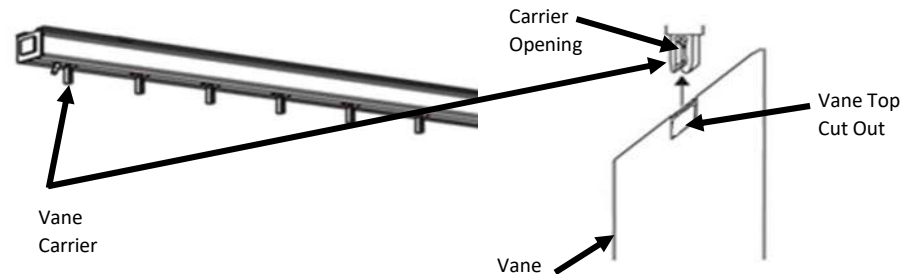
## 7 Install the vanes

**Items Needed:**

- Vanes

Position each vane carrier in the open position - the carrier opening will face forward. Push all carriers to their stacked position (left side, right side or split between both side, refer to the order details).

Insert the top cut out of each vane between the prongs of a single vane carrier. Pull down softly to lock in place. Repeat until all vane carriers are holding a vane.



## 8 Install the wand and test the operation

Items Needed:

Wand

Insert the wand into the wand clip.

Test the rotation of the vanes fully open and closed.

Test sliding the vanes open to reveal the window and closed again.

